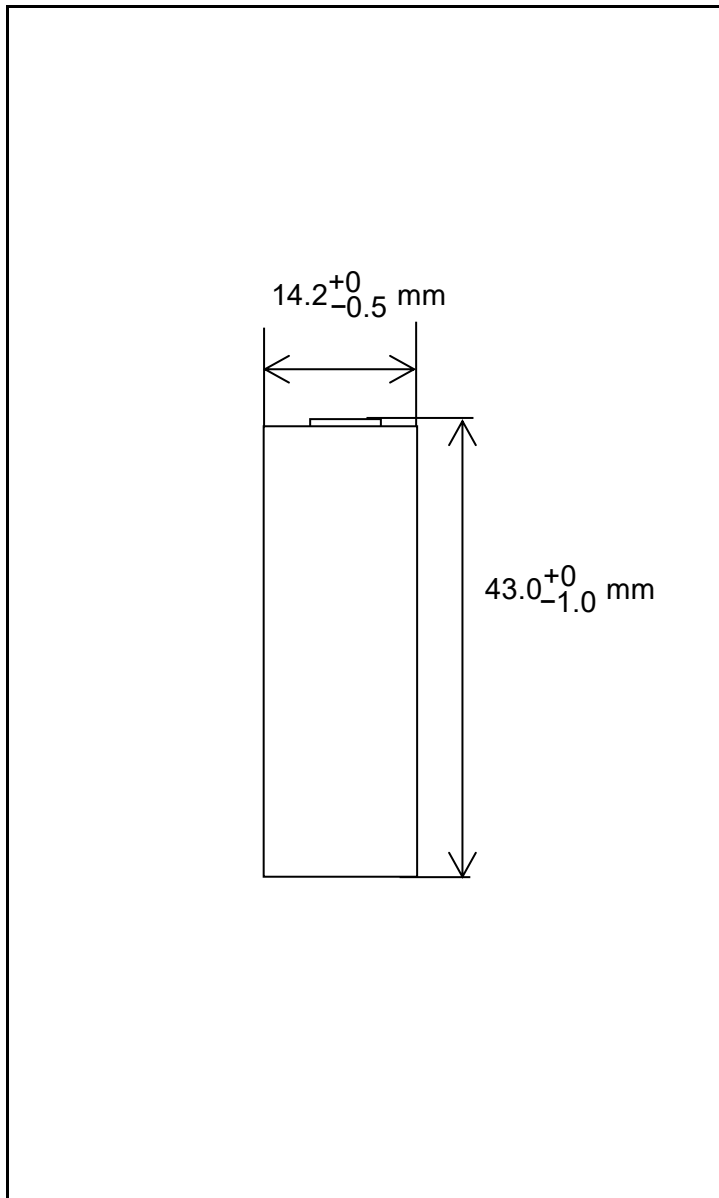


Data sheet

Dimensions



Dimensions (including tube)	Diameter	14.2 +0/ -0.5 mm
	Height	43.0 +0/ -1.0 mm
Approx. Weight (including tube)		21 g
Approx. Internal Impedance at 1kHz 20°C ₅₎		18 mΩ

5) After 3 cycles of charge and discharge under the conditions of 1), followed by the measurement 1~4 hours later.

Capacity

Nominal ₁₎	1100 mAh
Minimum ₁₎	1000 mAh

1)Single cell capacity under the following condition.

Charge : 100 mA × 16 hours, Discharge : 200 mA(E.V.=1.00 V) at 20 °C

General Specifications

Nominal Voltage		1.2 V
End Voltage		1.00 V
Charging Current x Time	Fast Charge ₂₎	1000 mAh x about 1.1 hours
Ambient Temp.	Charge Condition ₃₎	Fast Charge ₂₎
	Discharge Condition ₃₎	Recommended
Relative Humidity ₄₎		45 % ~ 85 %

2)Use recommended charging system.

3)Charge or discharge on outside the recommended temperature range may generate the battery degradation.

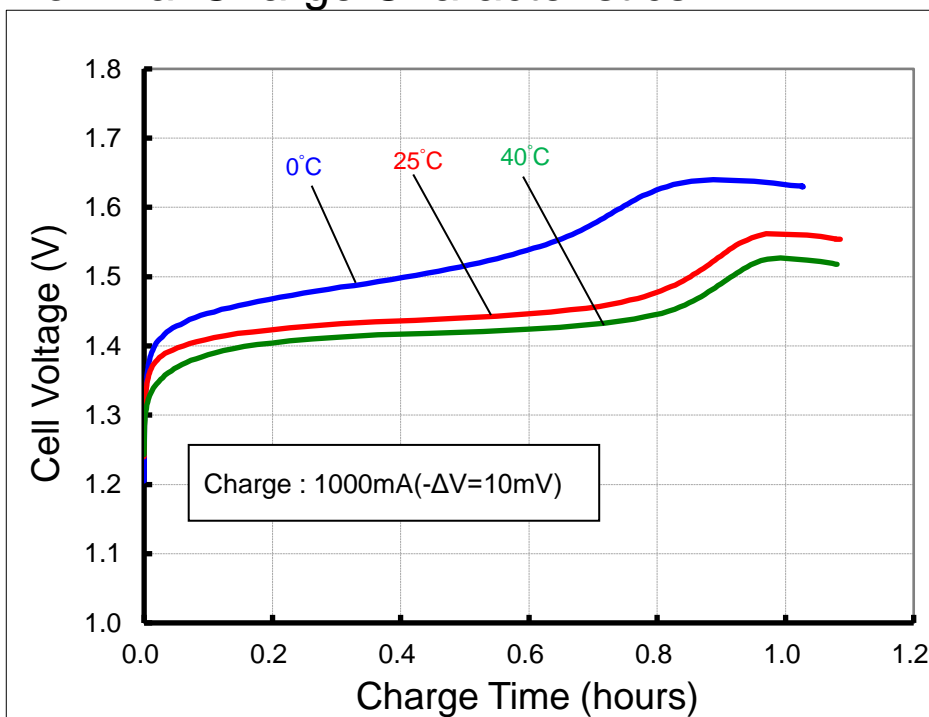
4)No water condensation.

Storage Conditions

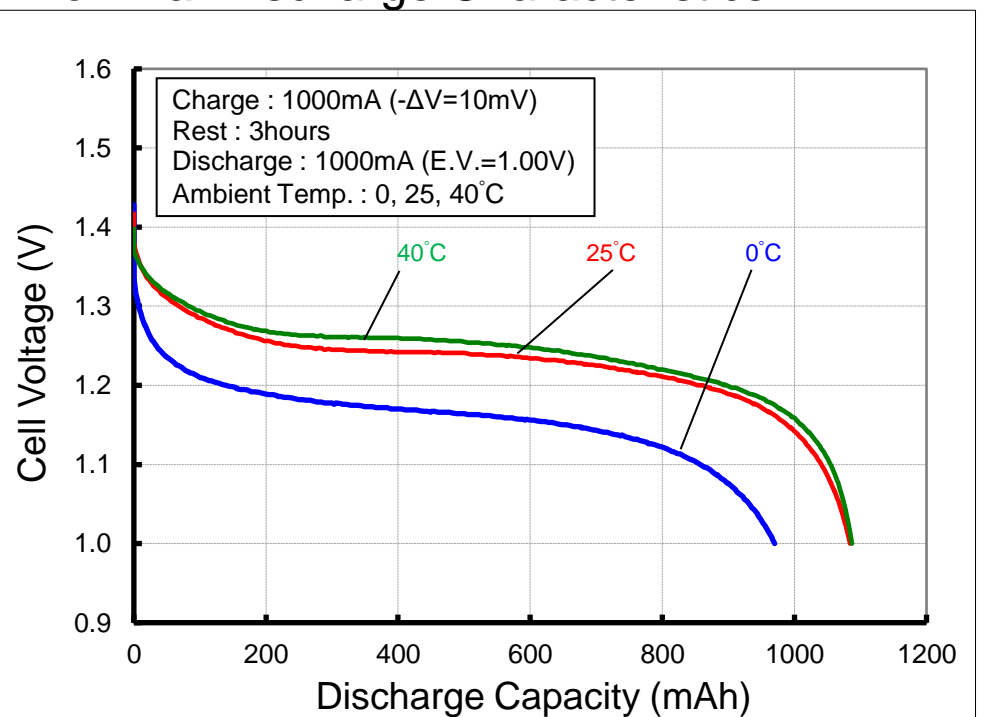
Ambient Temp.	Less than 30 days	-20 °C ~ +50 °C
	Less than 90 days	-20 °C ~ +40 °C
	Less than 1 year	-20 °C ~ +30 °C
Relative Humidity ₆₎		45 % ~ 85 %

6)No water condensation.

Nominal Charge Characteristics



Nominal Discharge Characteristics



- Single cell performance and lifespan are greatly affected by usage and temperature conditions.
- Test results vary depending on individual cells.
- Each values included in this material are intended to describe performance. They are not guaranteed.