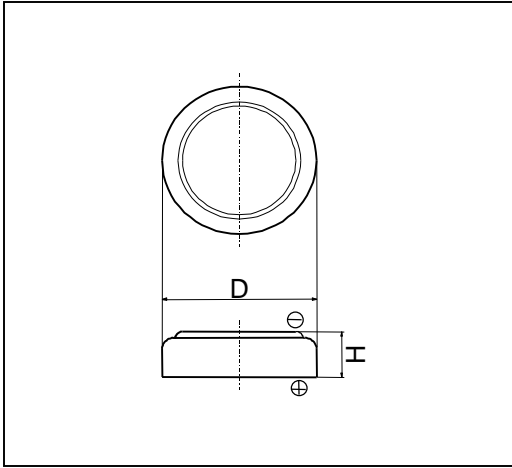


Cell Type ML621 Specifications



Nominal Voltage (V)		3
Nominal Capacity (mAh) ^{*1}		5.8
Standard Charge/Discharge Current (mA)		0.015
Max. Discharge Current (mA)	Pulse ^{*2}	1.5
Charge/Discharge Cycle Characteristics	Discharging Depth of 20%	300
Charging Method (V)	Constant Voltage Charge	2.8 ~ 3.25
Operating Temperature Range (°C)		-20 ~ +60
Dimensions (mm)	Diameter(D)	6.8
	Height(H)	2.1
Approx. Weight (g)		0.22

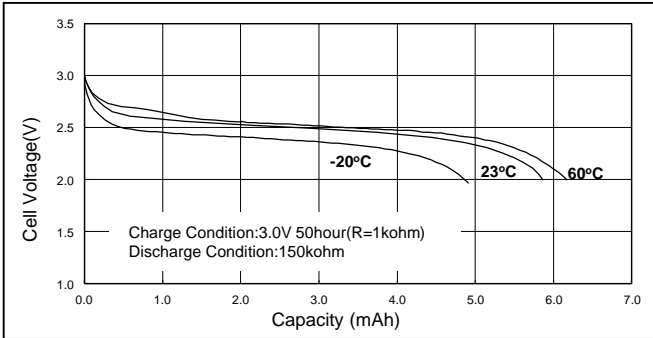
- * Expected life is 5 years at room temperature.
- * Consult with FDK when considering multiple-cell construction.
- *¹ Nominal capacity is determined at an end voltage of 2.0V when the battery is allowed to discharge at a standard current level at +23°C.
- *² Current value for obtaining 2.0V cell voltage when pulse is applied for 15 seconds at 50% discharge depth (50% of the nominal capacity) at +23°C.

Note) Battery Handling Precautions

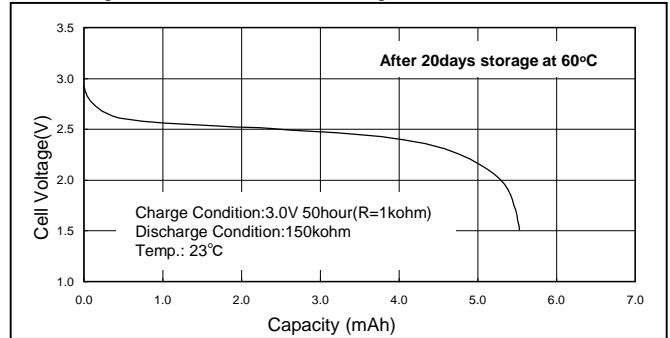
English) http://www.fdk.com/battery/lithium_e/handling_precaution.html
 Japanese) http://www.fdk.co.jp/battery/lithium/handling_precaution.html

Typical Characteristics

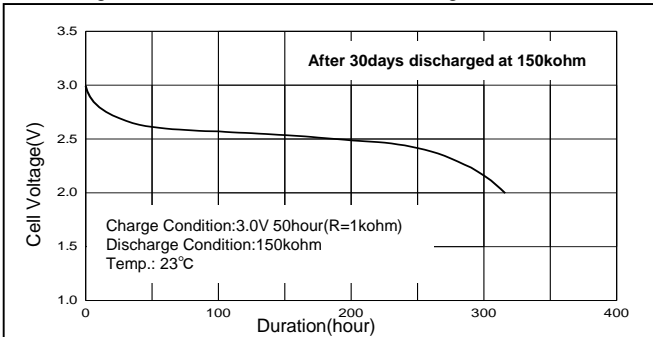
Temperature Characteristics



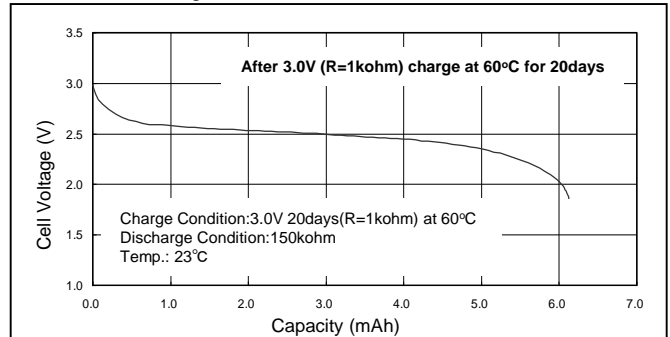
Discharge Characteristics after storage



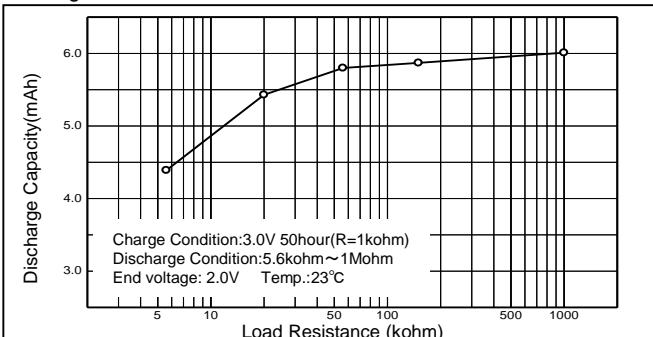
Discharge Characteristics after Over-Discharge



Continuous Charge Characteristics



Charge Characteristics



Charge/Discharge Cycle Characteristics

