

Hybrid optical isolators

YM-6000 type(Built-in WDM filter, for backward pumping)



Optical signal amplification in optical transmission lines is carried out by optical fiber amplifiers (EDFA). The YM-6000 type, which is the combination of an isolator and a WDM filter, is connected to the amplifier to assist it by backward pumping.

Features

- Designed for forward pumping of EDFA
- High isolation
- Low insertion loss
- High reliability
- Compact size, $\Phi 5.5\text{mm}$

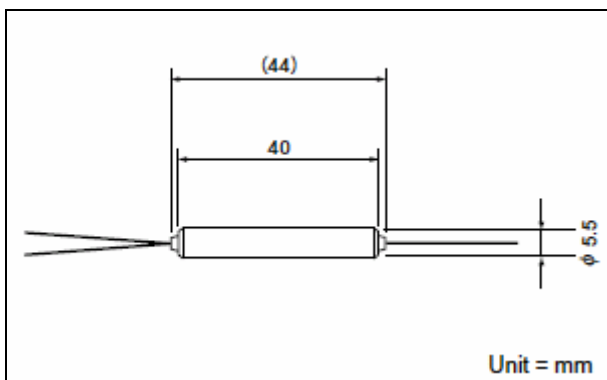
Specification

Items	Ports	Conditions	Part No.
			YM-6060
Signal Insertion Loss	I→O	1.55 μm , To	0.8dB max. (0.6dB)
Signal PDL			0.1dB max. (0.02dB)
Pump Insertion Loss	P→I	1.48 μm , To	0.6dB max. (0.4dB)
Pump PDL			0.1dB max. (0.02dB)
Signal Isolation	O→I	1.55 μm , 25°C	50dB min. (55dB)
Return Loss	I, O	1.55 μm , To	55dB min. (60dB)
PMD	I→O	1.55 μm , To	0.1ps max. (0.01ps)
Input/Output Fiber	I, O, P	Diameter 0.25mm	Corning SMF-28 CPC6 (2m)

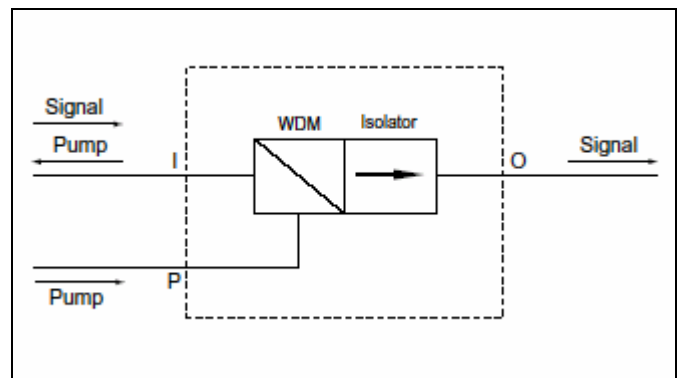
() Typical

Operating temp. range [To]	0~+70°C
Storage temp. range [To]	-40~+85°C

Shapes and dimensions



Diagram



*SMF-28TM is registered trademarks of Corning Incorporated in U.S.A.