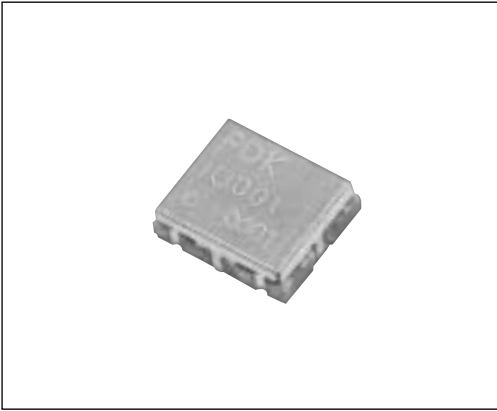


VCO (Voltage Controlled Oscillator) IU series



Features

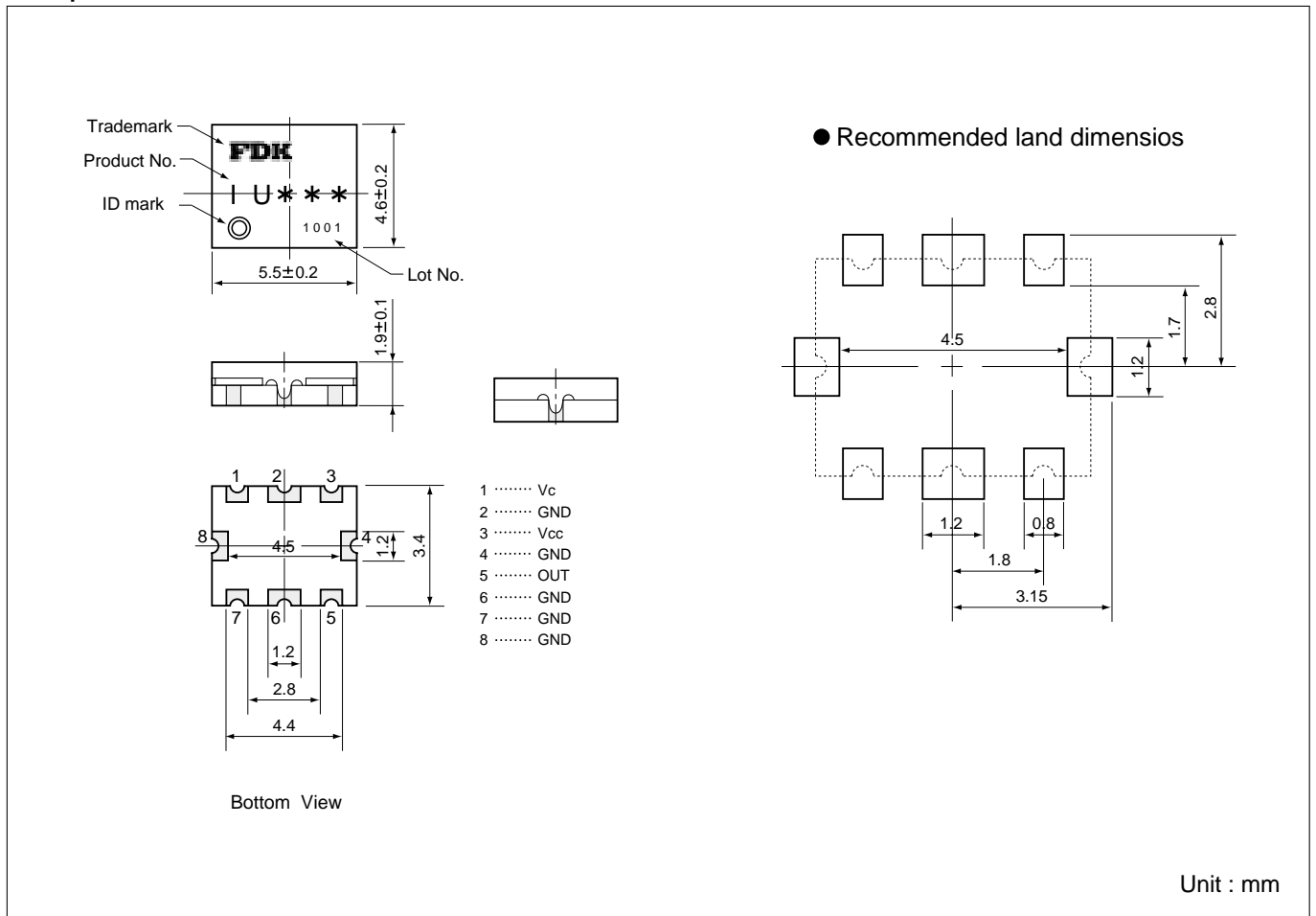
- Size : 5.5×4.8×1.9mm
- Low-cost strip line resonator
- Oscillation frequency : 900-2,500 MHz
- Laser trimming for high frequency adjustment
- For various mobile communication devices such as digital cellular phone
- Surface-mount design

Specifications

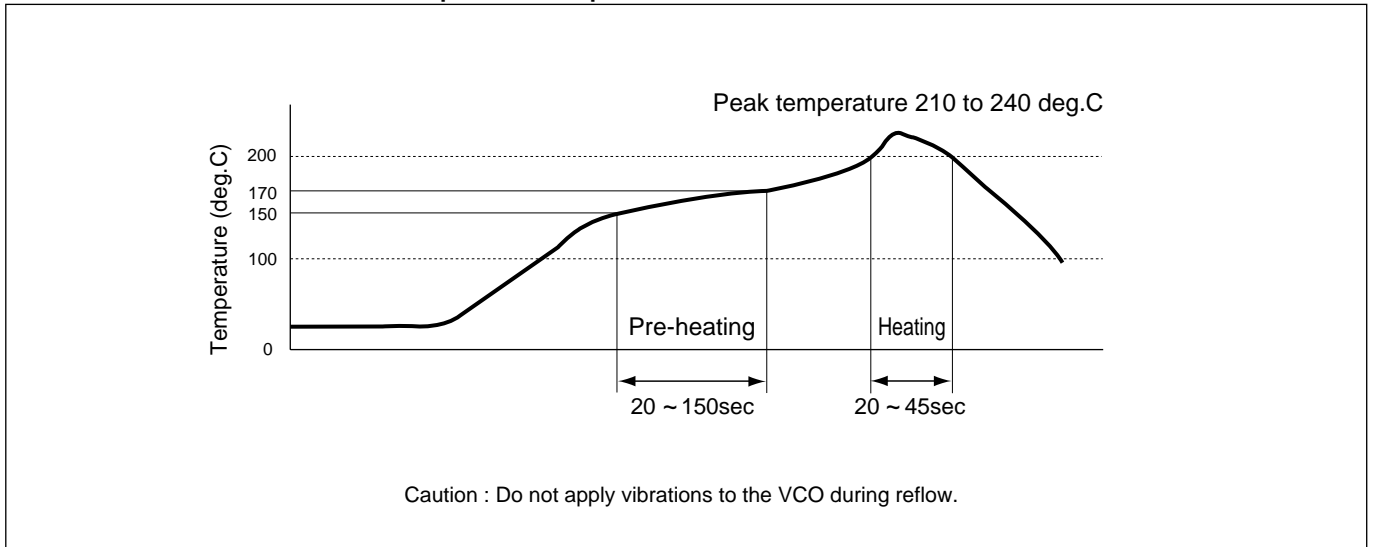
| Use | Model No. | Osc. frequency (MHz) | Supply voltage (V) | Controlled vol. range (V) | Controlled vol. sensitivity (MHz / V) | Power consumption (mA max.) | Oscillation output (dBm min.) | C / N (dBc min.) |
|------|-----------|----------------------|--------------------|---------------------------|---------------------------------------|-----------------------------|-------------------------------|------------------|
| CDMA | IU * * * | 2140.0±35.0 | 2.85 | 0.5~2.5 | 53.0±10.0 | 13.0 | -3.0 | 114(120kHz)/1Hz |

For specification details, please contact us.

Shapes and dimensions / Recommended land dimensions

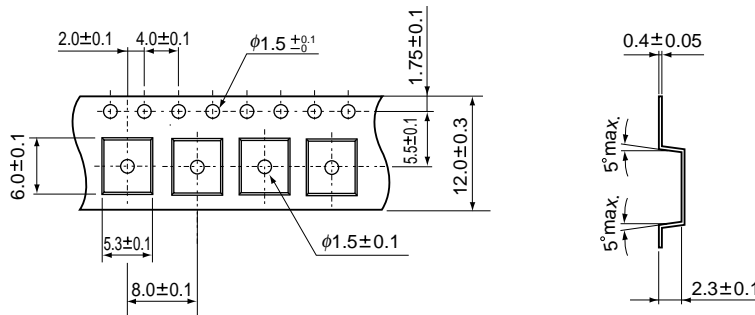


Recommended reflow temperature profile

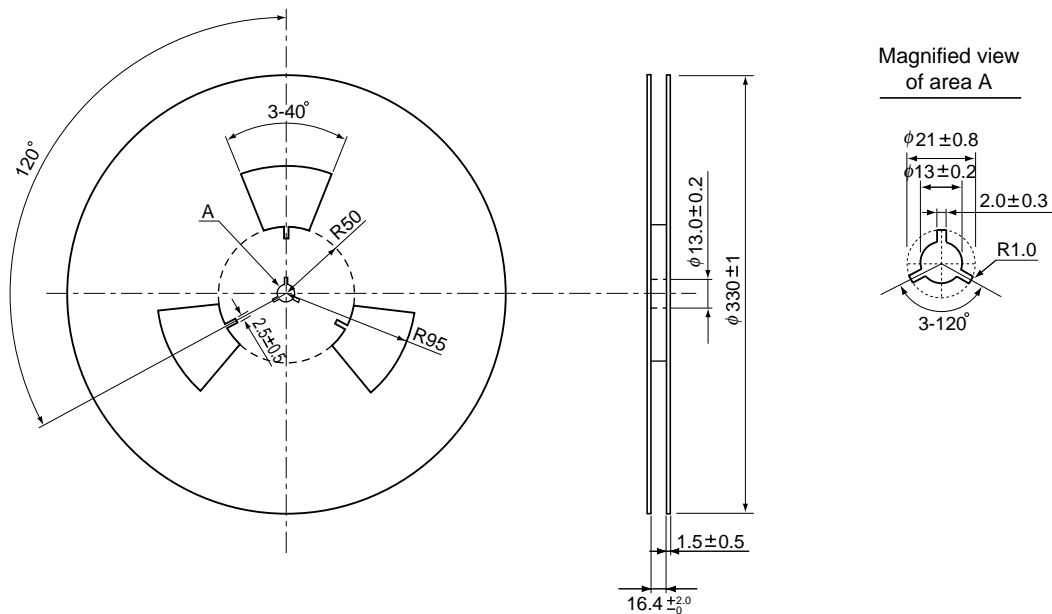


Packaging (one reel containing 3,000 VCOs)

- Embossed carrier tape dimensions



- Reel dimensions



Unit : mm