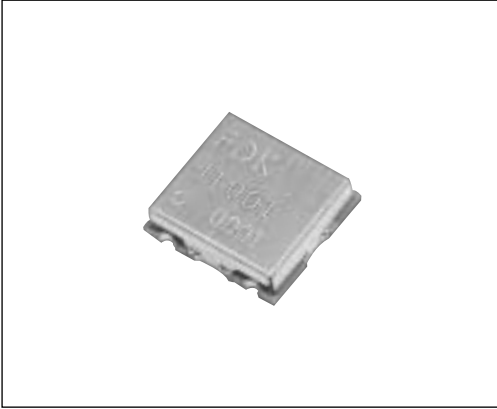


VCO (Voltage Controlled Oscillator) IT series



Features

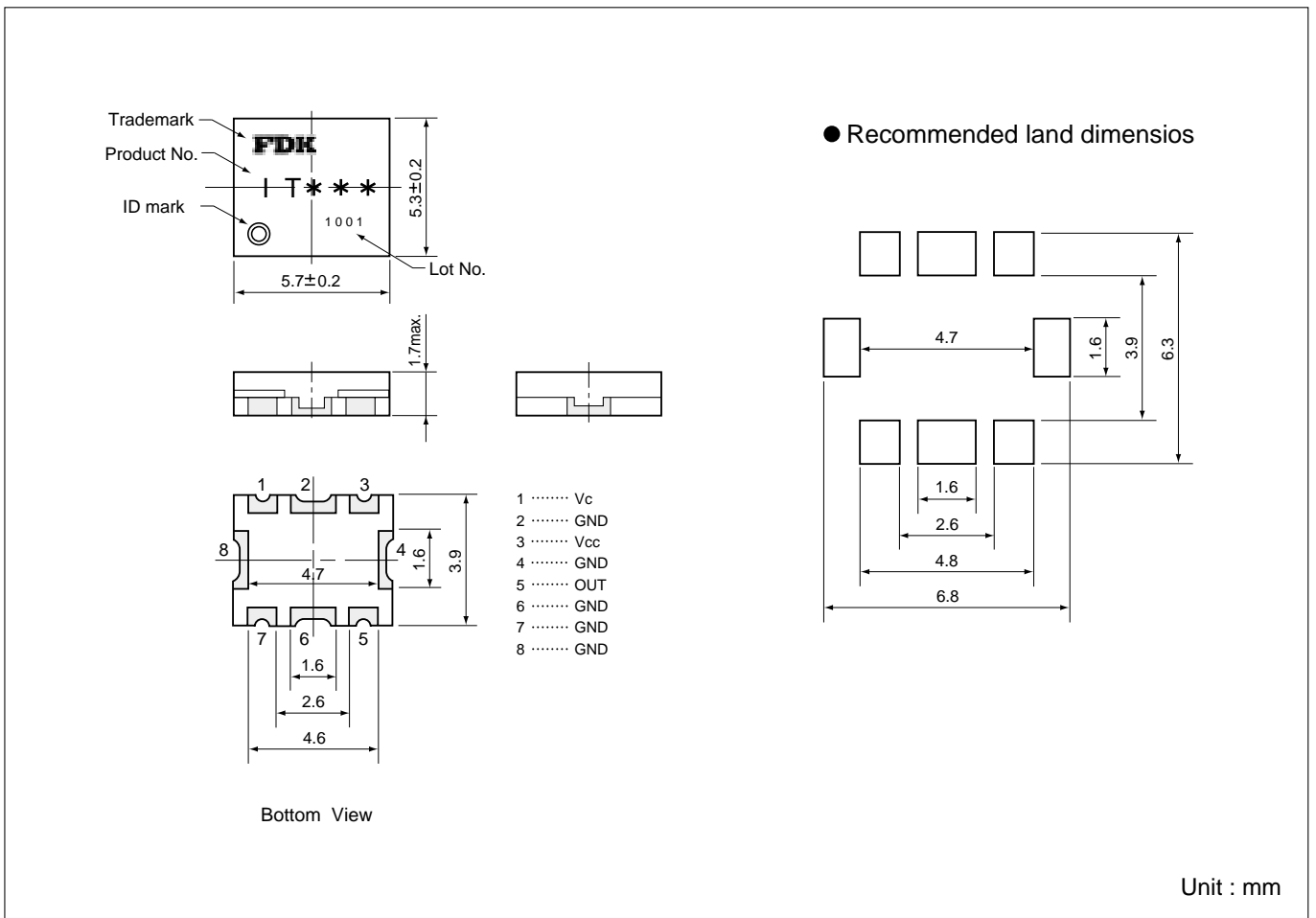
- Size : 5.7×5.3×1.7mm
- Low-cost strip line resonator
- Oscillation frequency : 1,000-4,500 MHz
- Laser trimming for high frequency adjustment
- For various mobile communication devices such as digital cellular phone
- Surface-mount design

Specifications

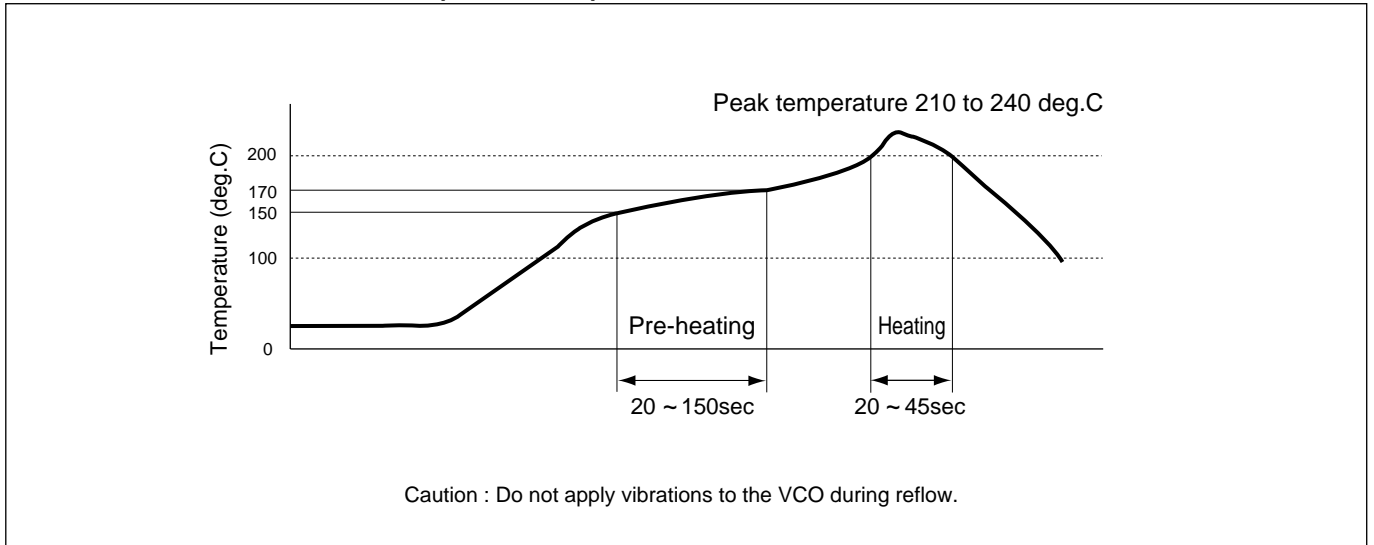
| Use | Model No. | Osc. frequency (MHz) | Supply voltage (V) | Controlled vol. range (V) | Controlled vol. sensitivity (MHz / V) | Power consumption (mA max.) | Oscillation output (dBm min.) | C / N (dBc min.) |
|---------|-----------|----------------------|--------------------|---------------------------|---------------------------------------|-----------------------------|-------------------------------|------------------|
| GSM/DCS | IT * * * | 3780.0±200 | 2.75 | 0.5~2.2 | 290.0±40.0 | 20.0 | -4.0 | 135(3000kHz)/1Hz |

For specification details, please contact us.

Shapes and dimensions / Recommended land dimensions

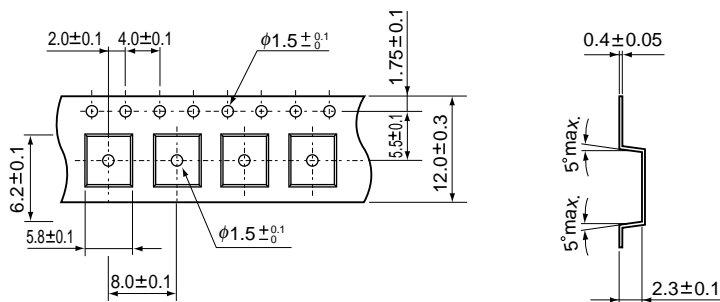


Recommended reflow temperature profile

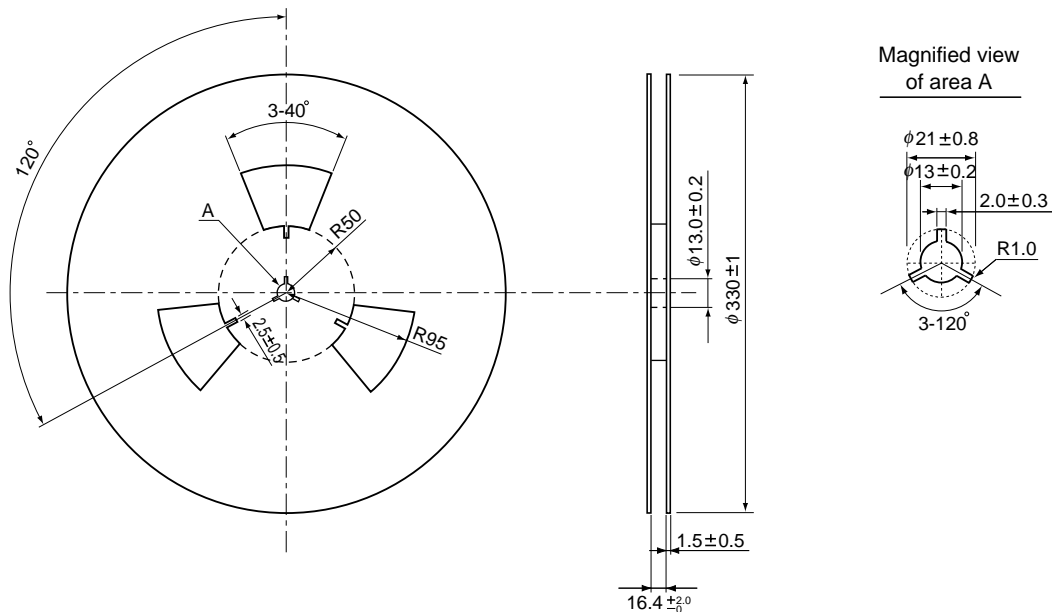


Packaging (one reel containing 3,000 VCOs)

- Embossed carrier tape dimensions



- Reel dimensions



Unit : mm