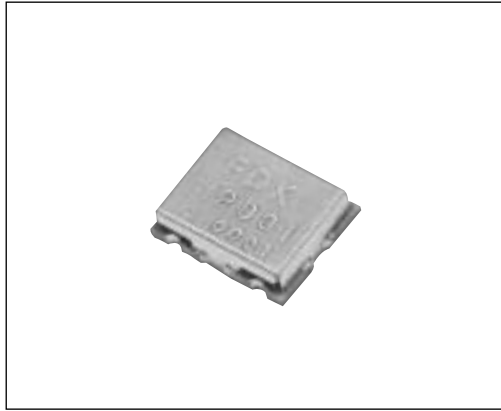


VCO (Voltage Controlled Oscillator) IP series



Features

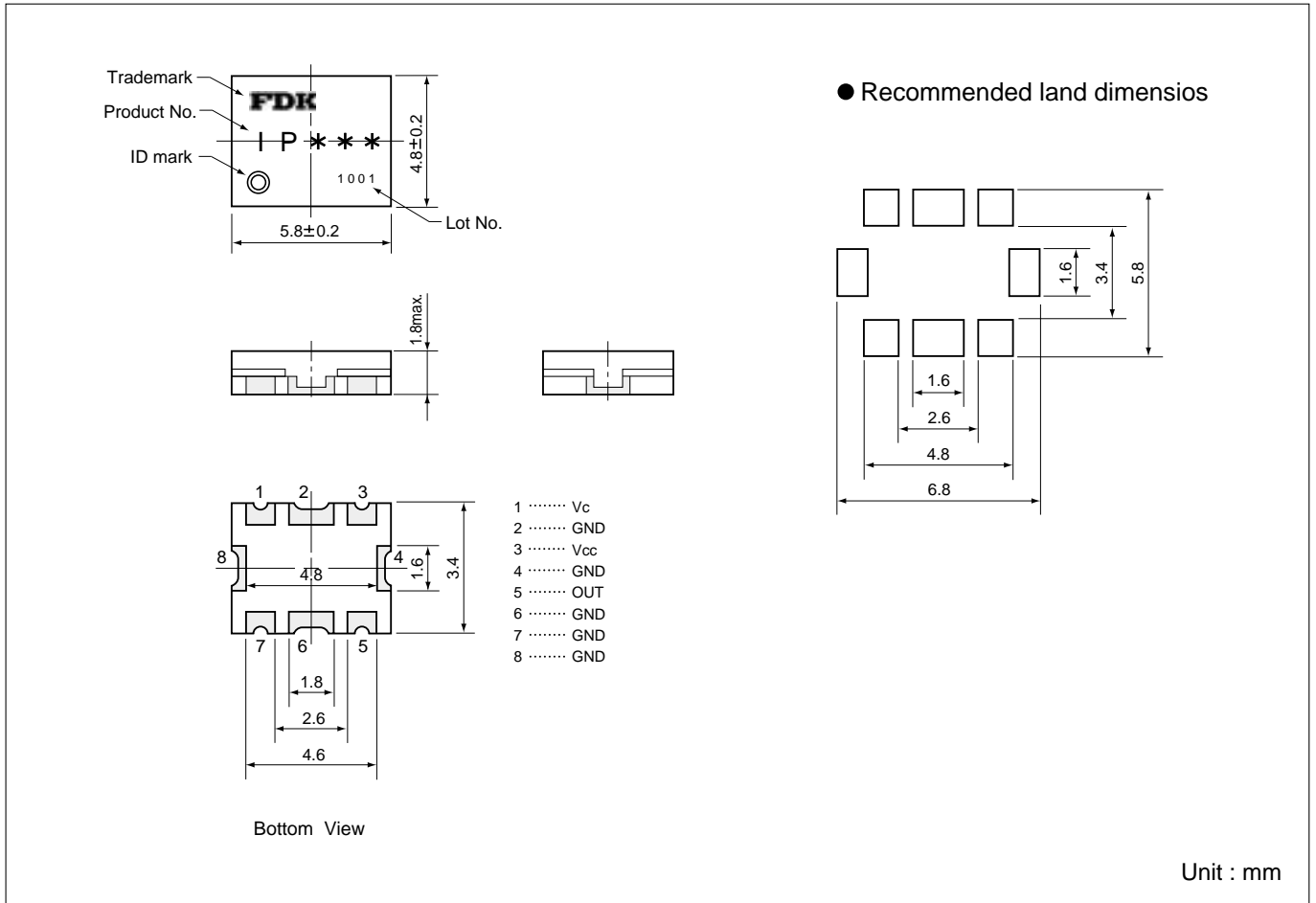
- Size : 5.8×4.8×1.7mm
- Low-cost strip line resonator
- Oscillation frequency : 800-2,500 MHz
- Laser trimming for high frequency adjustment
- For various mobile communication devices such as digital cellular phone
- Surface-mount design

Specifications

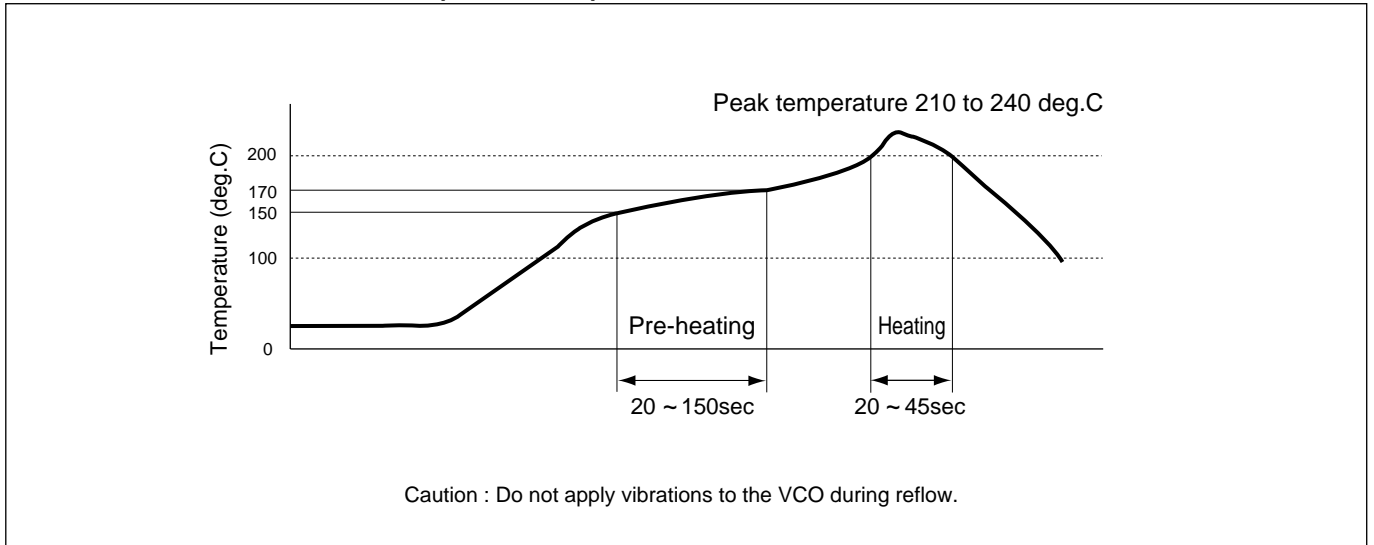
Use	Model No.	Osc. frequency (MHz)	Supply voltage (V)	Controlled vol. range (V)	Controlled vol. sensitivity (MHz / V)	Power consumption (mA max.)	Oscillation output (dBm min.)	C / N (dBc min.)
PHS	IP * * *	1656.0±27	3.0	0.5~2.4	44.0±8.0	10.0	-4.0	123(600kHz)/1Hz

For specification details, please contact us.

Shapes and dimensions / Recommended land dimensions

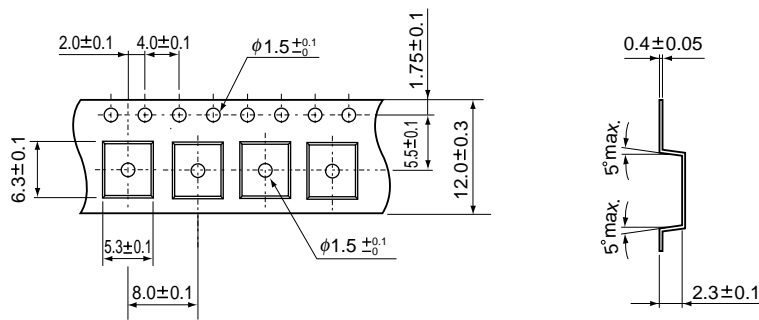


Recommended reflow temperature profile

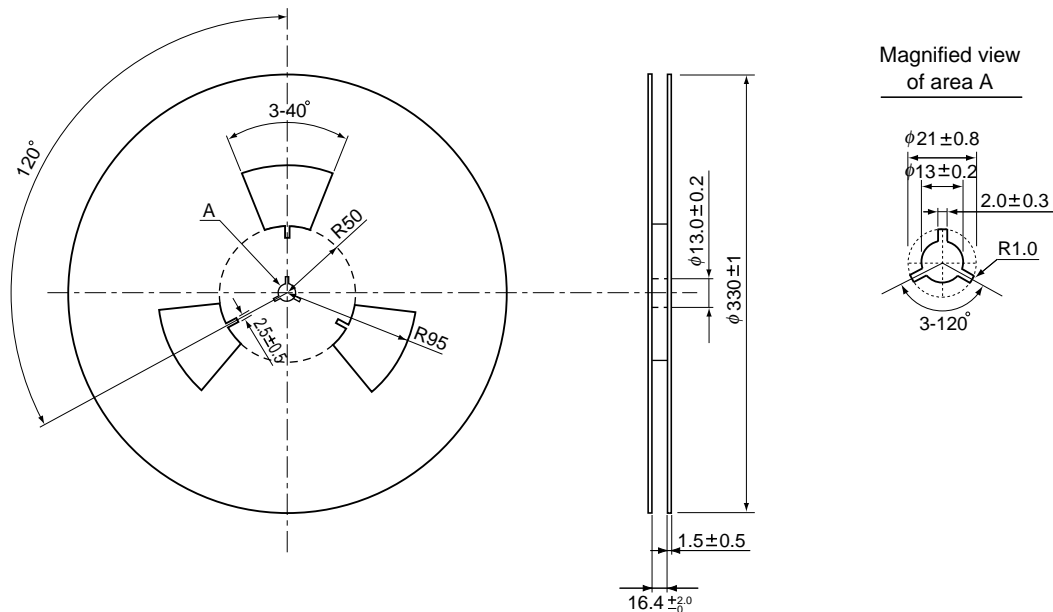


Packaging (one reel containing 3,000 VCOs)

● Embossed carrier tape dimensions



● Reel dimensions



Unit : mm