

Stepping Motor for Instrument Panel



Features

- Best Match for Digital Control
- High Response
- Low Noise
- Thin Size

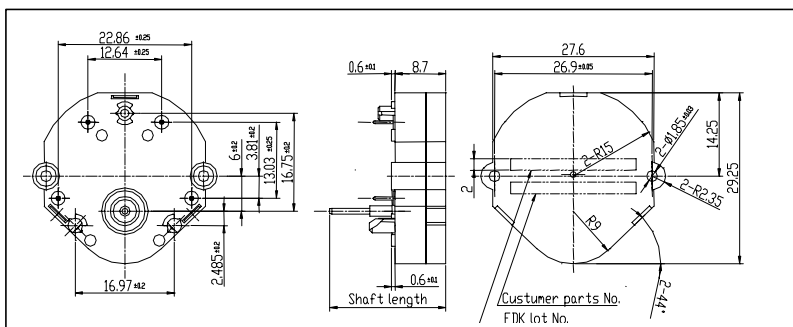
Applications

- Speed meter, Tachometer, Fuel meter, Temp Meter

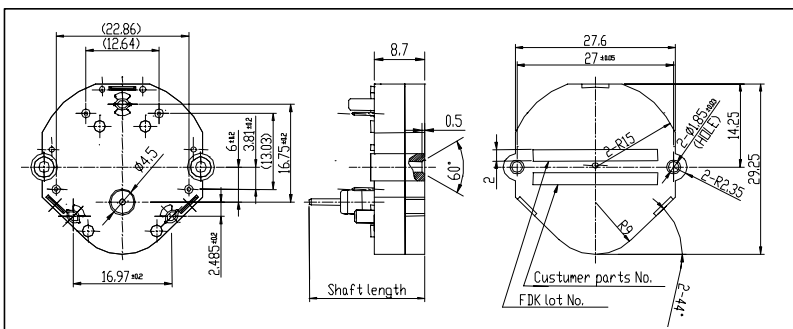
Specification

| | VMR30-5001-A | VMR30-5003-A | VMR30-5004-A | VMR30-5005-A |
|-------------------|----------------|---------------|---------------|--------------|
| Coil resistance | Typ. : 280 Ω | | | |
| Gear ratio | 1 : 50 | | | |
| Magnet | Neodymium | | | |
| No. of pole pairs | 3 | | | |
| Angle of rotation | Max. : 300deg | Max. : 316deg | | |
| Shaft diameter | φ 1mm | | φ 1.5mm | |
| Shaft length | Typ. : 19.86mm | | Typ. : 22.5mm | Typ. : 31mm |

Shapes and dimensions



VMR30-5001-A



VMR30-5003-A, 04-A, 05-A