

# Multilayer Chip Balun: AMB1608 Series

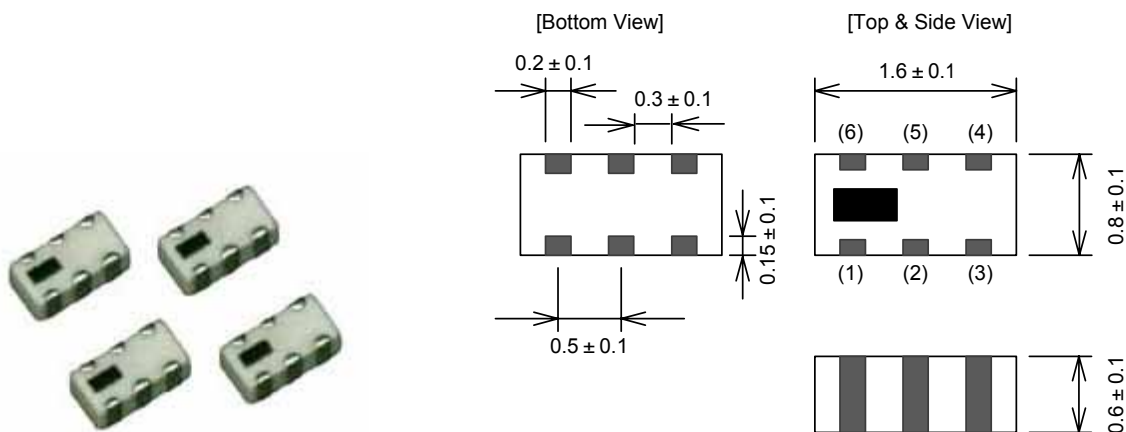
## Device Features

- Miniature Size and Low Profile  
(1.6mm x 0.8mm x 0.6mm)
- Low Insertion Loss (0.6dB typ. /C2450series)
- RoHS Compliant

## Applications

- Wireless LAN, Bluetooth module
- WiMAX, WiBro

## Shape & Dimensions



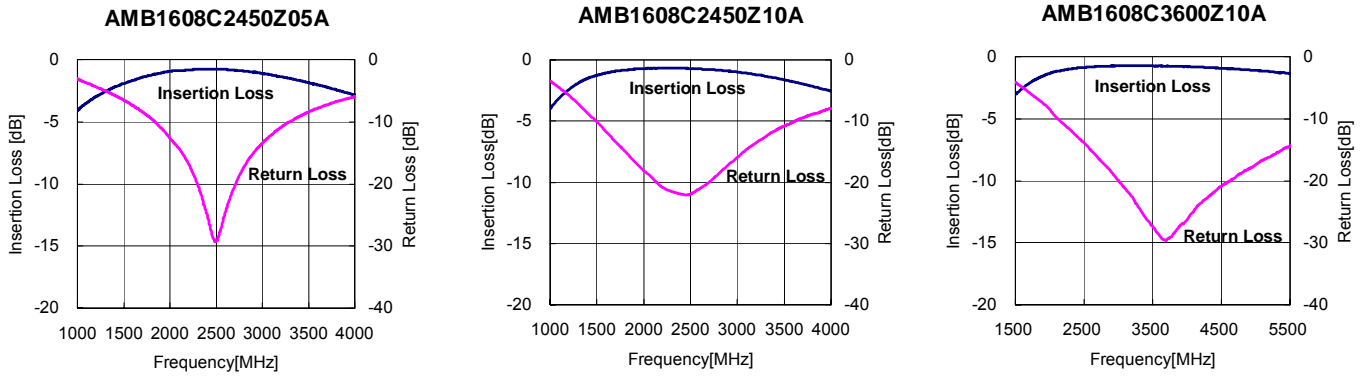
Unit: mm

- |     |                |     |              |
|-----|----------------|-----|--------------|
| (1) | Unbalance Port | (4) | Balance Port |
| (2) | GND            | (5) | GND          |
| (3) | Balance Port   | (6) | NC           |

## Lineup

Part Number	Frequency Range [MHz]	Impedance Unbalance/Balance [ohm]	Insertion Loss [dB] typ.	Return Loss [dB] typ.	Phase Balance [deg] typ.	Amplitude Balance [dB] typ.
AMB1608C2350Z05AT	2300-2400	50/50	0.7	15	180+/-10	1.0
AMB1608C2350Z10AT	2300-2400	50/100	0.6	15	180+/-10	0.5
AMB1608C2450Z05AT	2400-2500	50/50	0.6	15	180+/-10	0.5
AMB1608C2450Z10AT	2400-2500	50/100	0.6	15	180+/-10	0.5
AMB1608C2500Z05AT	2300-2700	50/50	0.7	15	180+/-10	1.0
AMB1608C2500Z10AT	2300-2700	50/100	0.6	15	180+/-10	1.0
AMB1608C3600Z05AT	3300-3900	50/50	0.7	15	180+/-10	1.0
AMB1608C3600Z10AT	3300-3900	50/100	0.6	15	180+/-10	1.0
AMB1608C5425Z05AT	4900-5950	50/50	0.8	15	180+/-10	1.0
AMB1608C5425Z10AT	4900-5950	50/100	0.6	15	180+/-10	1.0
AMB1608C5512Z05AT	5150-5875	50/50	0.8	15	180+/-10	1.0
AMB1608C5512Z10AT	5150-5875	50/100	0.6	15	180+/-10	1.0

**Typical Characteristics**



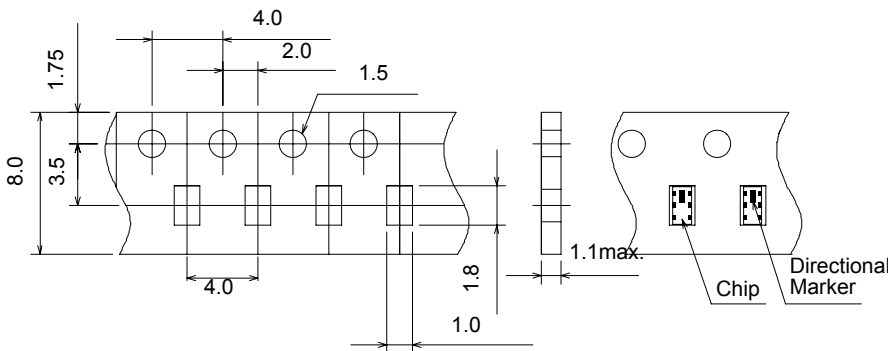
**Packaging**

Standard Quantity

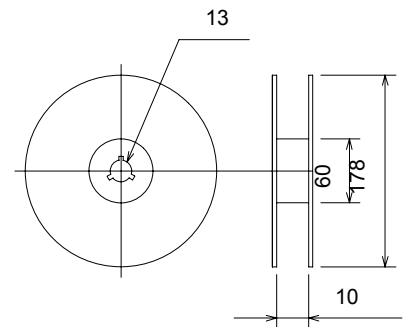
Type	Thickness [mm]	Standard Quantity
AMB1608	0.6	4,000

Material Tape : Card board carrier tape Reel : Polystyrene (included carbon)

Taping Dimensions

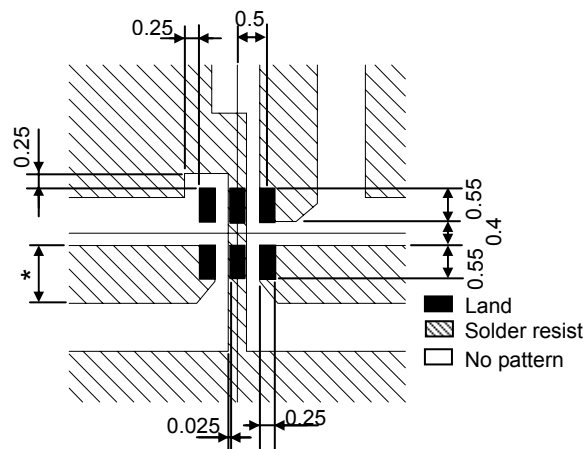


Reel size



Dimensions in mm

**Recommended land dimensions**



\*Line width to be designed to match 50Ω characteristic impedance.

Dimensions in mm

**Notes:** This catalog is effective from Jan. 2008. The contents of this catalog are subject to change without prior notice as a result of product improvement or discontinuation of production. Therefore, please be sure to check with our sales representatives about the contents before your ordering. Product specifications described in this catalog are for reference only. Upon the actual use, please obtain specification sheets separately to check the contents.