

Noise suppression IEEE1394 cable

NSC-IEEE06 series

Built in ferrite compound for noise suppression.

While its appearance is the same as a usual cable, it significantly reduces internal and external noises.

The cable can be used for any PCs/ peripheral equipment with IEEE1394 6pin terminals and any PCs / peripheral equipment corresponding to the Fire Wire systems.

Great match for bulk data transfer of digital video cameras and so on. Compared with normal cables, high-speed communication can be still possible under the environment where it is vulnerable to receive noises.

Feature

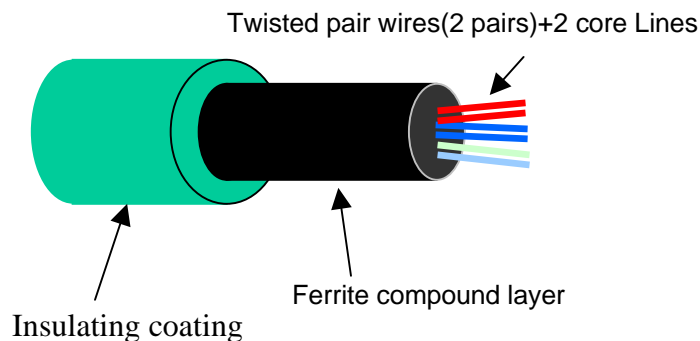
- Significantly reduces internal and external noises.
- Diameter and flexibility of cables are the same as our conventional products.
- Support peak transfers up to 400Mbps



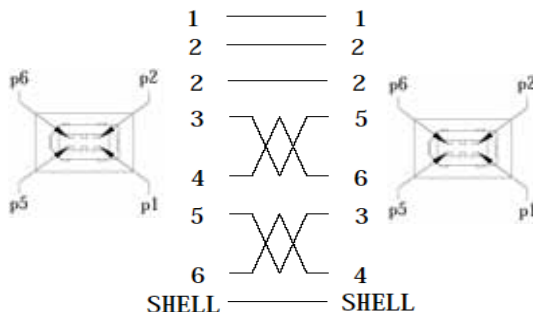
Basic specification

- Twisted pair wires.
- 6pin male to 6pin male connectors.

Inner structure of cable



Connection specification



EMI generation (cable length 2m)

