

Core filters for radiation noise suppression RN80UD



Features

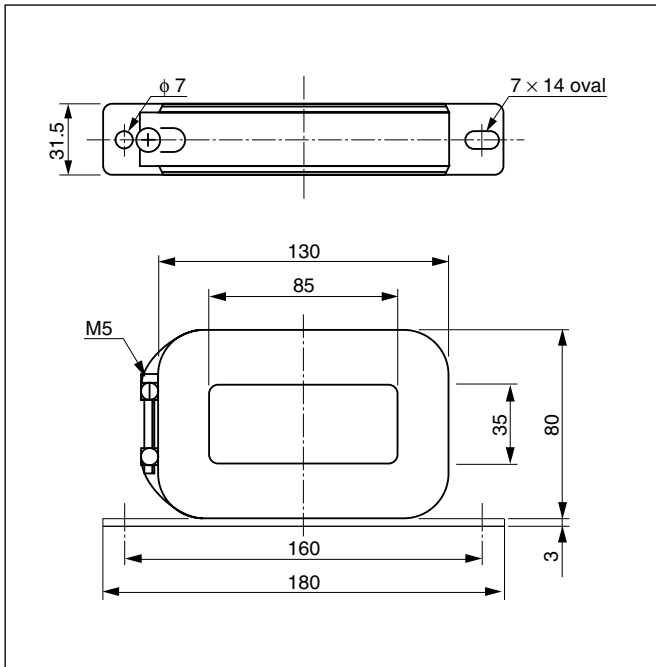
- Optimal cores used for RF noise suppression
- Simple installation

Applications

- Speed variators (inverters, AC servos), industrial equipment (robots, welding machines), battery units (uninterruptible power equipment, switching power supplies)

Shapes and dimensions

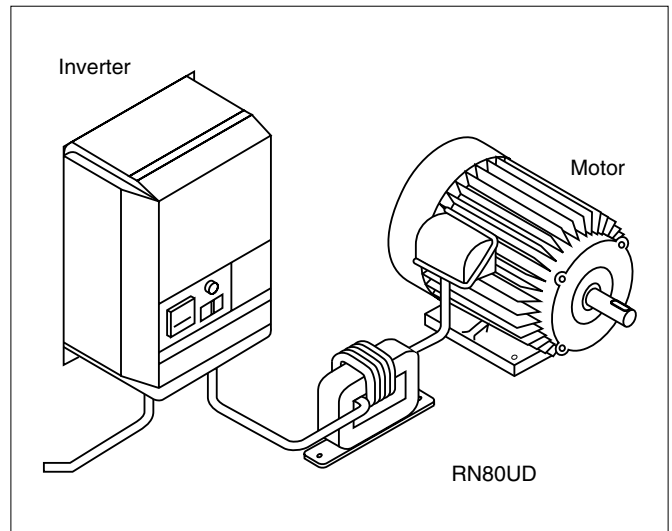
Unit: mm



Specifications

Operating temperature	-25°C ~ +85°C
-----------------------	---------------

Example of usage



Noise attenuation characteristics (10-turn winding)

