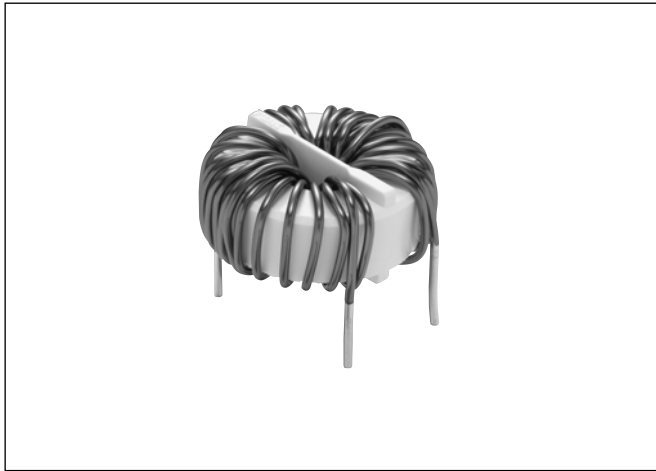


# Common mode noise suppression coils NF-KP series



## Features

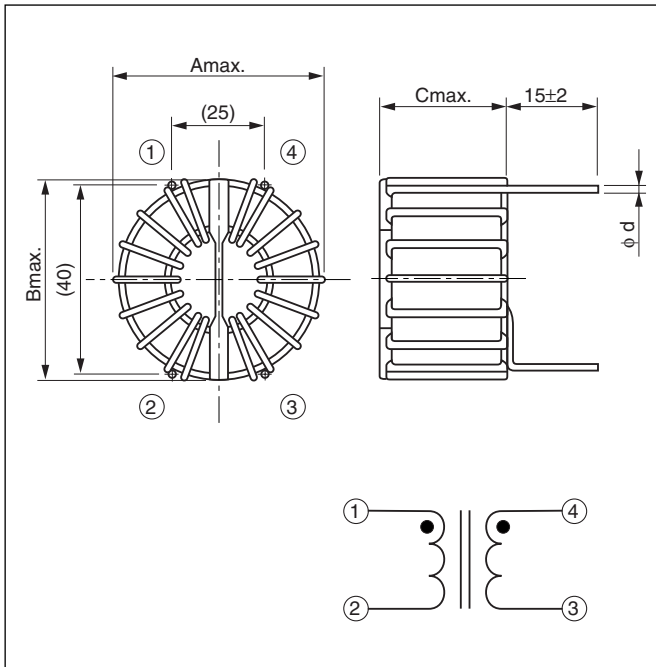
- Large current use and general-purpose

## Applications

- Large computers
- NC machines, inverter, air conditioners
- Various electronic equipment

## Shapes and dimensions

Unit: mm



## Specifications

Rated voltage	AC250V
Withstand voltage	AC2000V, 1 min.
Insulation resistance	DC500V 100MΩmin.
Operating temperature	-25°C ~ +105°C (including self-temperature rise)

## Standard models

Model No.	Rated current [A]	Inductance [mH] min. (1kHz, 20°C)	DC resistance [mΩ] max.
NF15KP152	15	1.5	15
NF20KP801	20	0.8	8

Model No.	Amax.	Bmax.	Cmax.	φ d
NF15KP152	52	52	30	1.8
NF20KP801	54	52	32	2.3

## Impedance characteristics

