

Common mode noise suppression coils NF-KM series



Features

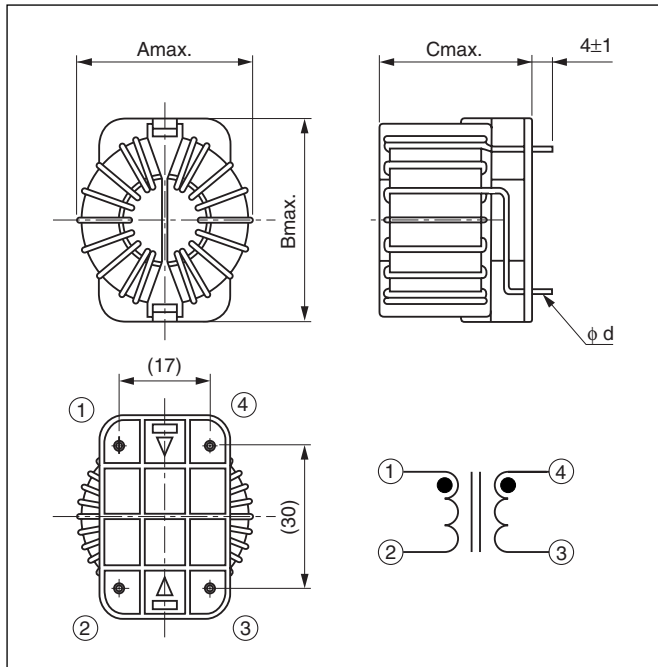
- Suited for large current use
- Superb mountability

Applications

- Faxes
- NC machines, inverter, air conditioners
- Car electronic equipment

Shapes and dimensions

Unit: mm



Specifications

Rated voltage	AC250V
Withstand voltage	AC2000V, 1 min.
Insulation resistance	DC500V 100MΩmin.
Operating temperature	-25°C ~ +105°C (including self-temperature rise)

Standard models

Model No.	Rated current [A]	Inductance [mH] min. (1kHz, 20°C)	DC resistance [mΩ] max.
NF15KM202	15	2.0	10
NF20KM401	20	0.4	8

Model No.	Amax.	Bmax.	Cmax.	φ d
NF15KM202	45	42	36	1.8
NF20KM401	46	44	36	2.0

Impedance characteristics

