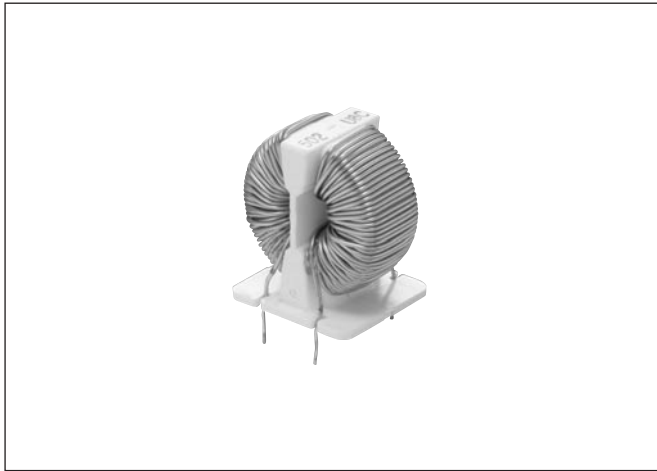


Common mode noise suppression coils NF-RH series



Features

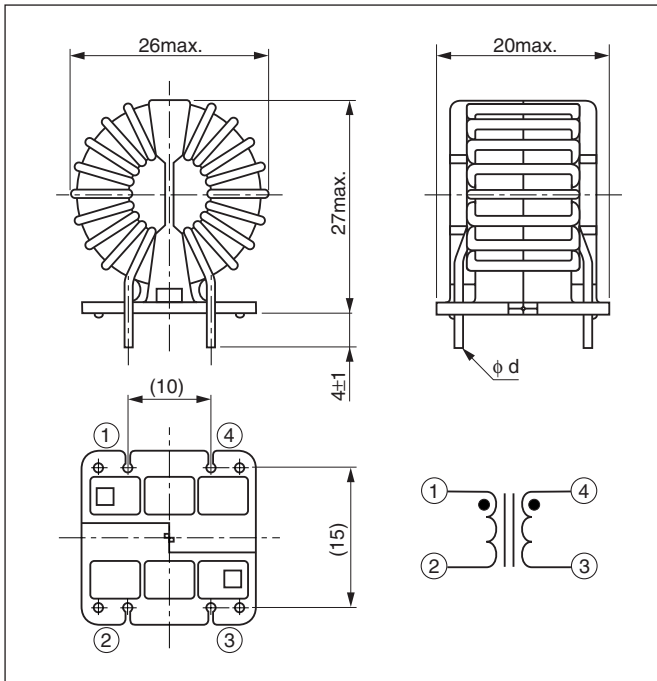
- Conformity with safety standards
- Superb mountability

Applications

- TVs, display terminals
- Faxes, copiers, printers
- Inverter
- Car electronic equipment

Shapes and dimensions

Unit: mm



Specifications

Rated voltage	AC250V
Withstand voltage	AC2000V, 1 min.
Insulation resistance	DC500V 100MΩmin.
Operating temperature	-25°C ~ +105°C (including self-temperature rise)

Standard models

Model No.	Rated current [A]	Inductance [mH] min. (1kHz, 20°C)	DC resistance [mΩ] max.
NF02RH502	2.0	5.0	120
NF03RH302	3.0	3.0	65
NF05RH102	5.0	1.0	30

Model No.	φ d [mm]
NF02RH502	0.6
NF03RH302	0.65
NF05RH102	0.8

Impedance characteristics

