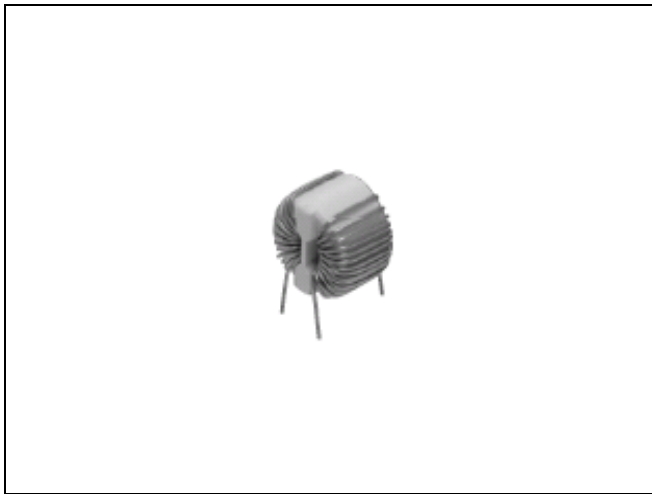


Common mode noise suppression coils NF-KD series



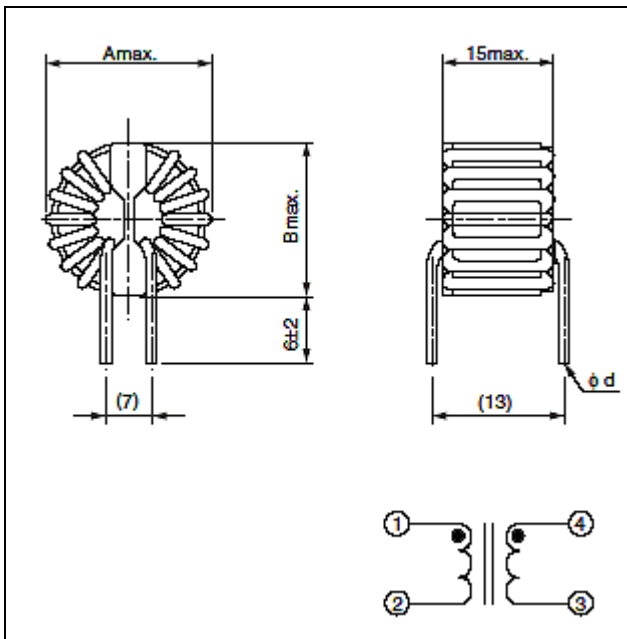
Features

- Compact size and general-purpose

Applications

- AC adapters
- Game machines
- Power supplies

Shapes and dimensions



Specifications

Rated voltage	AC250V
Withstand voltage	AC2000V 1 min.
Insulation resistance	DC500V 100MΩmin.
Operating temperature	-25 ~ +85 (including self-temperature rise)

Standard models

Model No.	Rated current [A]	Inductance [mH]min. (1KHz, 20°C)	DC resistance [mΩ]max.
NF01KD302	1.0	3.0	190
NF03KD102	3.0	1.0	45
NF06KD301	6.0	0.3	16

Model No.	Amax.	Bmax.	φd
NF01KD302	17	15	0.4
NF03KD102	17	15	0.6
NF06KD301	19	18	0.8

Impedance characteristics

