

Common mode noise suppression coils NF-ET series



Features

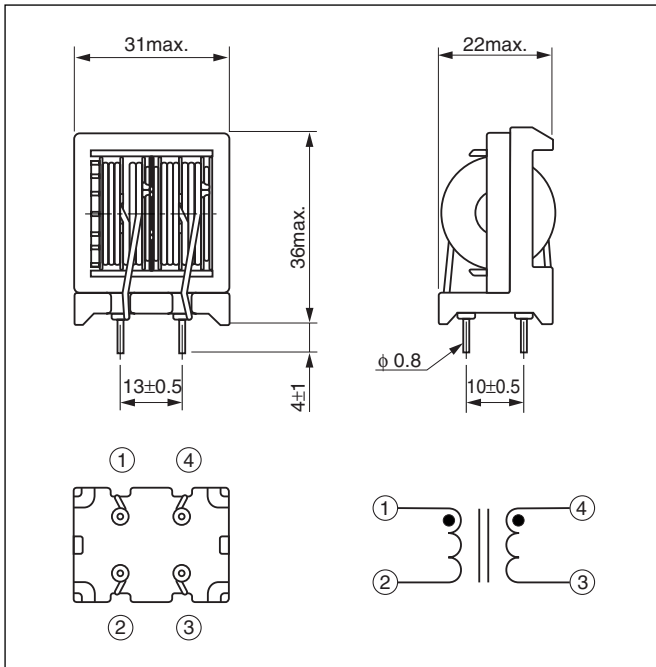
- Compact size but large inductance
- Conformity with safety standards
- Wide frequency range attenuation

Applications

- TVs, display terminals
- Faxes, copiers, printers
- Power supplies

Shapes and dimensions

Unit: mm



Specifications

Rated voltage	AC250V
Withstand voltage	AC2000V, 1 min.
Insulation resistance	DC500V 100MΩmin.
Operating temperature	-25°C ~ +105°C (including self-temperature rise)

Standard models

Model No.	Rated current [A]	Inductance [mH] min. (1KHz, 20°C)	DC resistance [Ω] max.
NF01ET253	1.0	25.0	650
NF01ET163	1.5	16.0	350
NF02ET802	2.0	8.0	220
NF02ET562	2.5	5.6	160

Impedance characteristics

