

# Common mode noise suppression coils NF-UI series



## Features

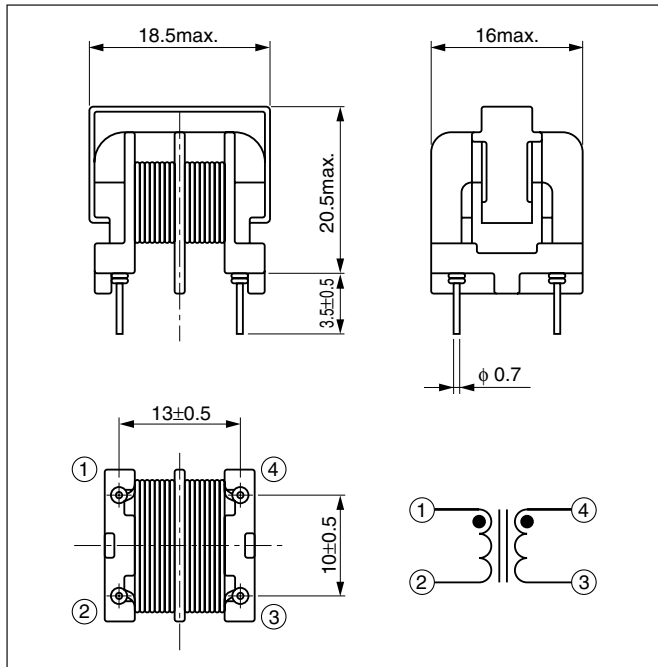
- Compact size but large inductance
- Conformity with safety standards

## Applications

- AC adapters
- Game machines
- Power supplies

## Shapes and dimensions

Unit: mm



## Specifications

Rated voltage	AC250V
Withstand voltage	AC2000V, 1 min.
Insulation resistance	DC500V 100MΩmin.
Operating temperature	-25°C ~ +105°C (including self-temperature rise)

## Standard models

Model No.	Rated current [A]	Inductance [mH] min. (1KHz, 20°C)	DC resistance [Ω] max.
NFR5UI203	0.5	20.0	1900
NFR6UI103	0.6	10.0	1200
NF01UI502	1.0	5.0	540
NF02UI102	2.0	1.0	120

## Impedance characteristics

